

## SRC025 – Compact Slip ring

Slip rings can be used in any system requiring the transmission of electrical and/or power signals to an intermittently or continuously rotating shaft. Thanks to the small ring diameter, the SRC series grants low peripheral speed between brushes and rings, as well as reduced dynamic imbalance what means very low wear. The use of noble metals (gold to gold alloy) assures long lifetime with low resistance, low electrical noise and low interference between circuits.



The very low electrical noise makes the SRC series suited to transmission of critical signals, such as high frequency signals (video, field buses) and weak signals (strain gages, thermocouples, measuring equipment). Versions with up to 6 A or 10 A circuits are available.

Designed for a flexible, cost-effective and reliable solution, these units are available in many standard configurations using 6 to 56 circuits. The compact size allows installation into small systems with high performance requirements. The SRC series can also be customised on demand (connectors, cables length, special cables, number of circuits, etc.).

COAX: Can be combined with RG178 50 Ω and RG170 75 Ω.

### Typical applications

- CCTV
- Various camera applications
- Medical equipment
- Packaging machines

### Quick facts

- Compact size
- Quick delivery
- Low cost
- High reliability and duration
- Low friction torque
- Smooth rotation
- In compliance with CE and ROHS standards

Number of circuits	30, 36, 46, 56
Voltage	240 VDC / 240 VAC max
Cables/Current rating	silver plated - PTFE insulation and colour coded 2A: AWG26 or AWG28 6A: AWG20; 10A: AWG16
Dielectric strength	1000 VAC at 60 Hz
Nominal speed	250 rpm
Temperature	-20°C to +80°C
Rating life	10 <sup>8</sup> revolutions (depending on speed and on environmental conditions)
Contact	Gold on Gold / Silver on Silver
Protection	IP51 or higher or request

We can also offer custom designs. As a customer you have the possibility to specify the slip ring to comply with your needs. We can also offer hybrid units, for example a combined slip ring and fiber optic rotary joint, integrated into one small housing.

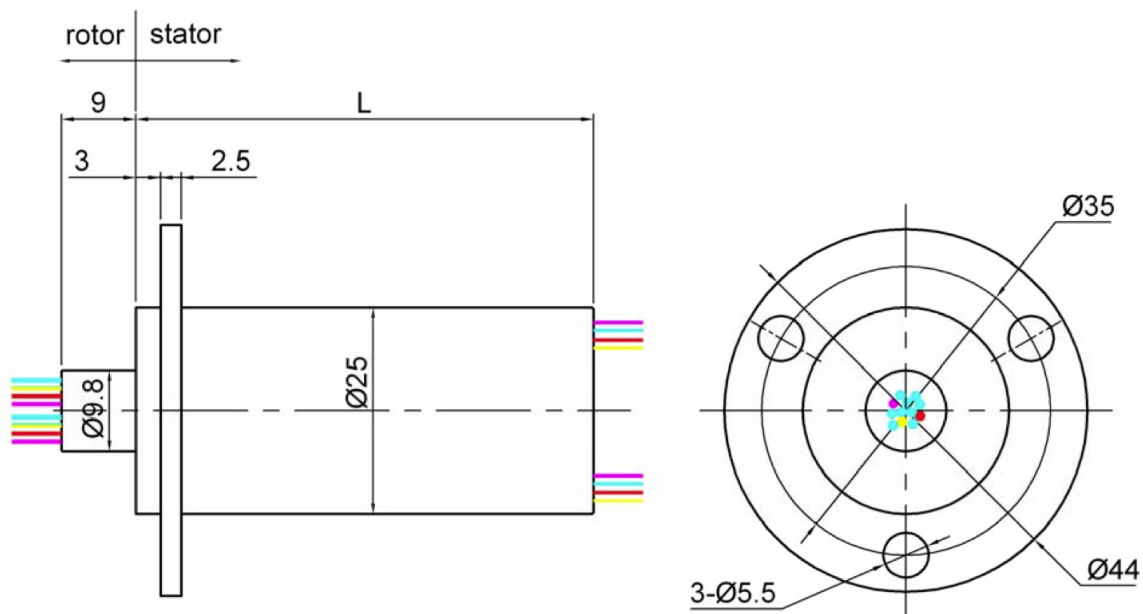
#### Other options we can offer:

- Inclusion of coax and miniature data bus cables
- Harnessing of lead wires into chosen crimps and connectors

#### Combinent Oy Ab

Pajatie 8  
FI-06150 Porvoo  
Finland

Phone: +358 (0)207 311 330  
Fax: +358 (0)207 311 348  
Email: [combinent@combinent.com](mailto:combinent@combinent.com)

**SRC025**
**Outline dimension**


Number of circuits	Slip ring length (L)	Model number
30	51.7 mm	SRC025-30
36	59.5 mm	SRC025-36
46	72.5 mm	SRC025-46
56	85.5 mm	SRC025-56

Model	Total Rings	2A	6A	10A	RG178	RG179
SRC025-30	30	30	-	-	-	-
SRC025-30-4P/18S	22	18	4	-	-	-
SRC025-30-3P/15S	18	15	-	3	-	-
SRC025-36	36	36	-	-	-	-
SRC025-36-4P/24S	28	24	4	-	-	-
SRC025-36-4P/22S-2RG178	26	20	4	-	2	-
SRC025-46	46	46	-	-	-	-
SRC025-46-4P/24S	30	24	-	4	-	-
SRC025-46-4P/22S-2RG179	28	22	-	4	-	2
SRC025-56	56	56	-	-	-	-
SRC025-56-4P/44S	48	44	4	-	-	-
SRC025-56-4P/42S-2RG178	48	42	4	-	2	-